



Nevos

Volumetric water meter



BENEFITS

Nevos high accuracy performances help you reduce your Non Revenue Water level due to metering inefficiencies.

FEATURES

Design

Nevos is a piston type water meter.

- » Itron proven measuring chamber technology
- » New semi-dry register with bigger rollers to facilitate reading
- » Cover made in strong composite
- » Meter case made in brass
- » Compact design reducing tampering
- » Pre-equipped for AMR communication

Performance

- » Low starting flow to measure water drops
- » Class C or R400 wide dynamic range
- » Long-lasting high accuracy

Working environment

- » Water up to 50°C
- » 16 bars working Pressure
- » Operates in flooded pits

Approvals and standards

Approved in conformity with:

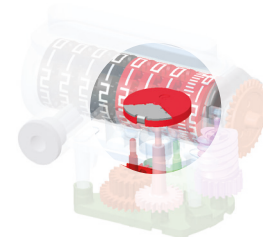
- » International Standard ISO 4064 : 2014
- » Recommendations OIML 49 : 2006

Compliant with regulations for products to use in contact with water intended for human consumption.

COMMUNICATION

Key advantages of cyble technology

- » Cyble target is the standard solution for all Itron meters
- » Robust and 100%reliable detection and data transmission
- » Fraud detection, reverse flow detection
- » Not sensitive to magnetic fields



Cyble target

ROBUSTNESS

The severe Itron internal validation test protocol demonstrates the combination of high performance thermoplastic material together with our design gives a very high level of resistance against:

- » Static and dynamic pressure peaks
- » Ageing in correlation with temperature
- » Mechanical strengths of the body and of the threads
- » Corrosion from free chlorine

OPTIONS

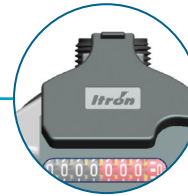
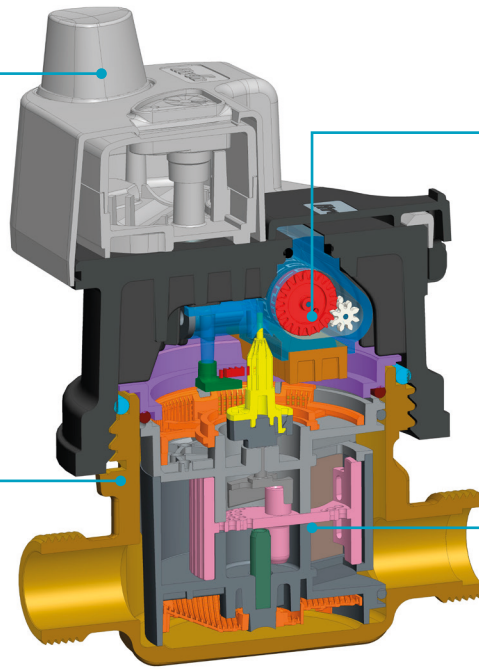
- » Connection set
- » Non Return Valve
- » Cyble module (Anyquest, EverBlu, M-bus, Pulse)



Nevos with Cyble module

Communication
Pre equipped with the proven cycle target allowing the meter's integration into remote reading systems by adding the relevant module.

High performing brass material
High resistance to pressure and ageing.



Register
- Easy to read
- Direct transmission
- No magnetic tampering
- Protective lid

Measuring chamber
- Hydro-dynamically balanced piston, grooved profile
- Excellent metering efficiency
- Enhanced performances for network accidents
- Special internal filtering for loaded water

TECHNICAL SPECIFICATIONS

Nominal diameter (DN)	mm	15	
	inches	1/2"	
Production Accuracy Class (Ratio)	C	160	
Nominal Flow Rate Qn (Q3)	m ³ /h	1.5	2.5
Minimum Flow Rate Qmin (Q1)	l/h	15	15.6
Transitional Flow Rate Qt (Q2)	l/h	22.5	25
Overload Flow rate Qmax (Q4)	m ³ /h	3	3.125
Max. Operating temperature	°C	50 (*)	
Max. Approved Ratio (Q3/Q1)		400	
Max. Admissible Pressure	bar	16	
Pressure Loss Class at (Qn/Q3)	bar	0.63	
Climatic environment	°C	-5 to +55	
Other Characteristics			
Indication Range	m ³	9999.9999	
Minimum Scale Interval	L	0.02	
Typical Starting Flow Rate	l/h	1	

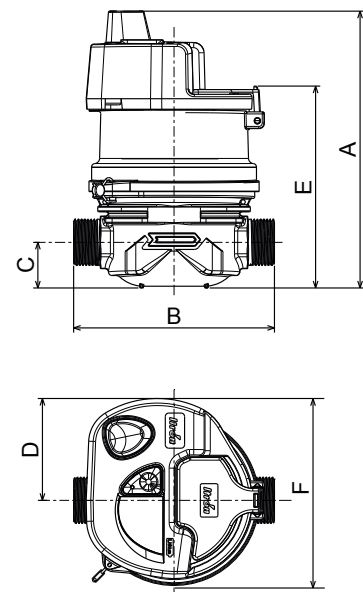
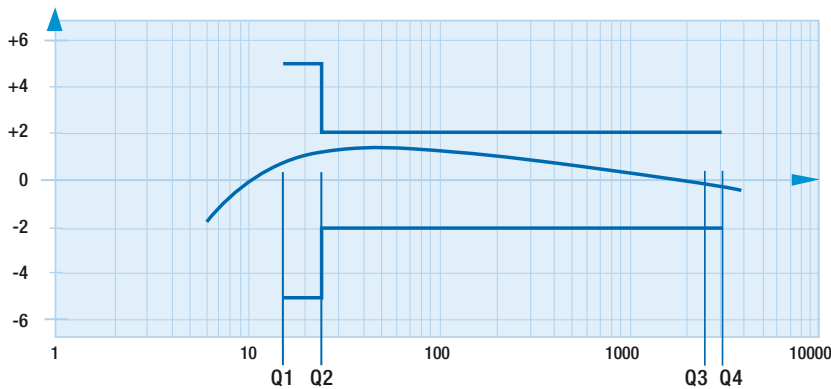
(*) Not to be used in heated water

DIMENSIONS

Nominal diameter (DN)	mm	Brass
		15
Threads	inches	3/4"
A	mm	158,5
B (*)	mm	115 - 165
C	mm	27.4
D	mm	56.4
E	mm	107.8
E	mm	106
Weight (without MIU)	Kg	0.85

(*) other lenghts available under request

TYPICAL CURVE ACCORDING TO ISO 4064 AND OIML R49



Join us in creating a more resourceful world.
To learn more visit itron.com

While Itron strives to make the content of its marketing materials as timely and accurate as possible, Itron makes no claims, promises, or guarantees about the accuracy, completeness, or adequacy of, and expressly disclaims liability for errors and omissions in, such materials. No warranty of any kind, implied, expressed, or statutory, including but not limited to the warranties of non-infringement of third party rights, title, merchantability, and fitness for a particular purpose, is given with respect to the content of these marketing materials. © Copyright 2016 Itron. All rights reserved. **WA-0106.2-Brass-EN-05.16**

ITRON METERING SYSTEMS (SUZHOU)

Co. Ltd Suzhou China
No 50 Weihe Road
Suzhou Industrial Park
Suzhou Jiangsu China 215121

Tel: 86 512 6936 8066
Fax: 86 512 6936 8068